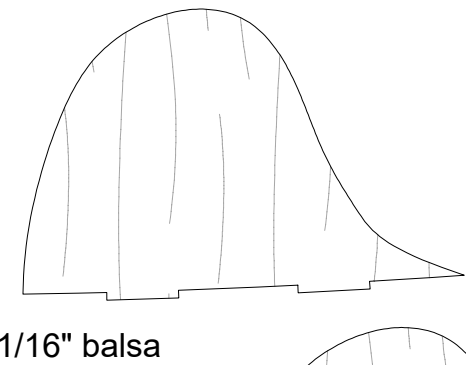
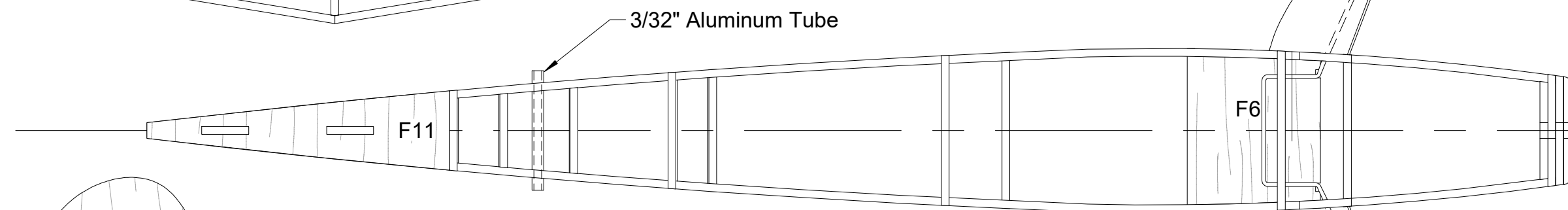
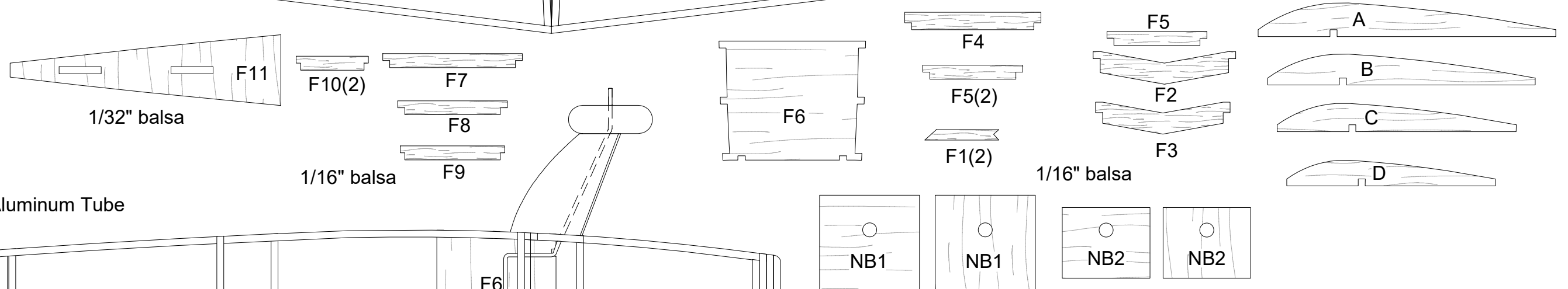
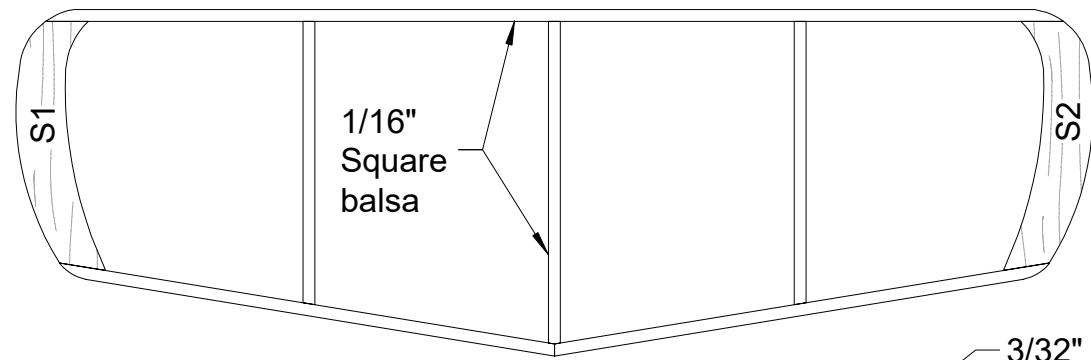
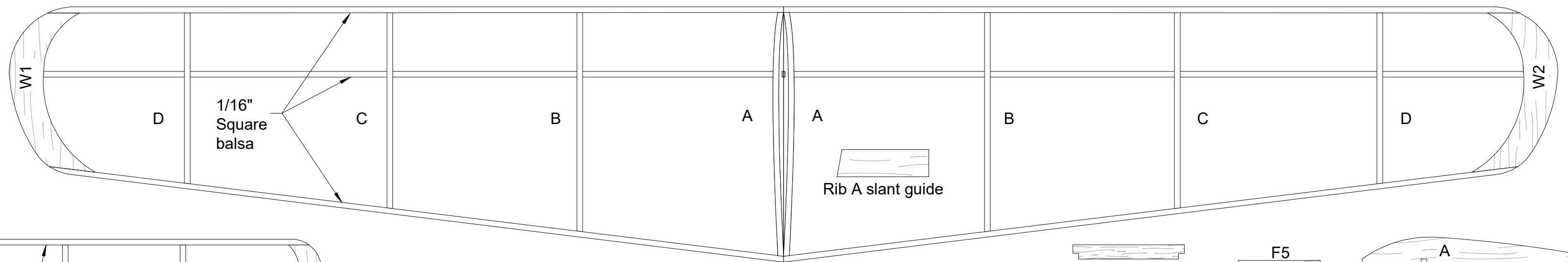
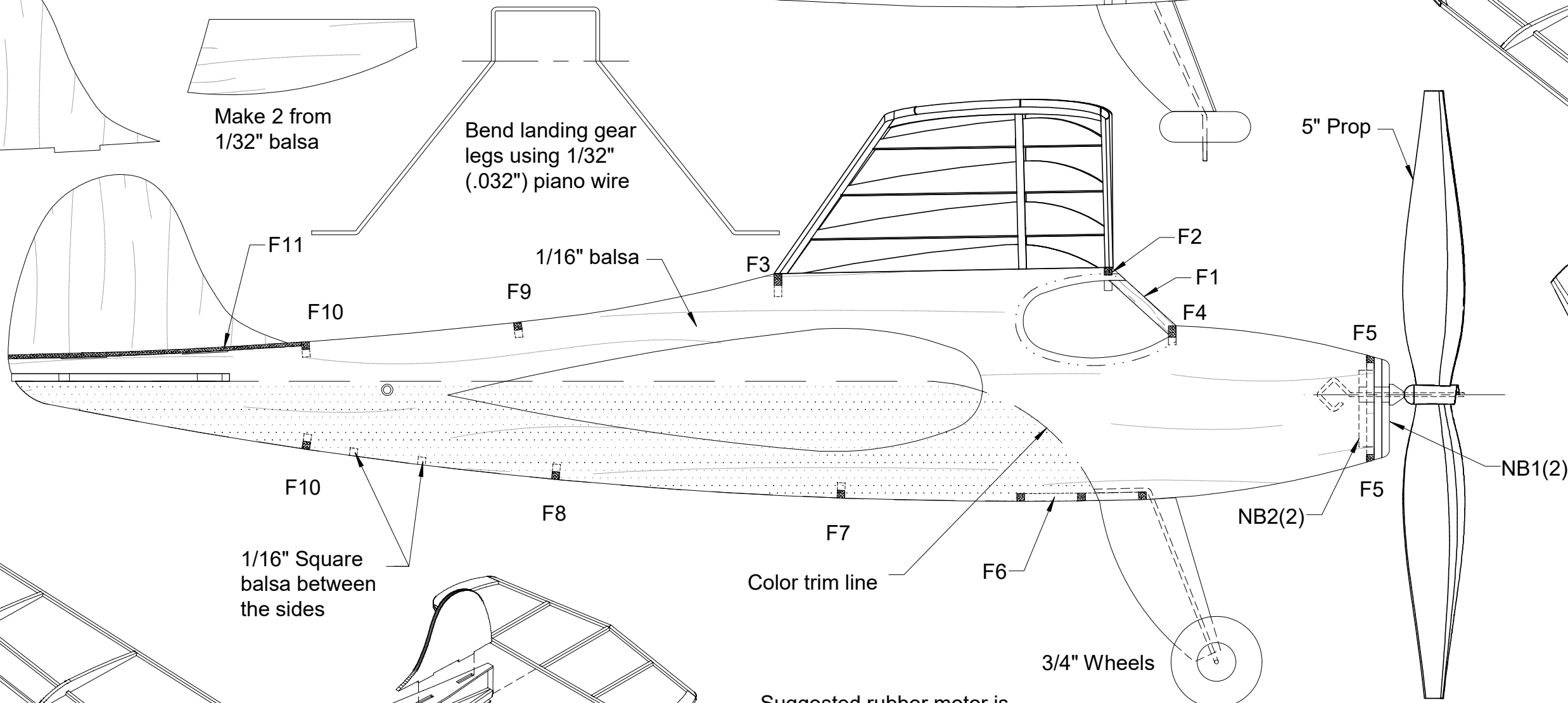


1 1/2" Dihedral under each wing tip



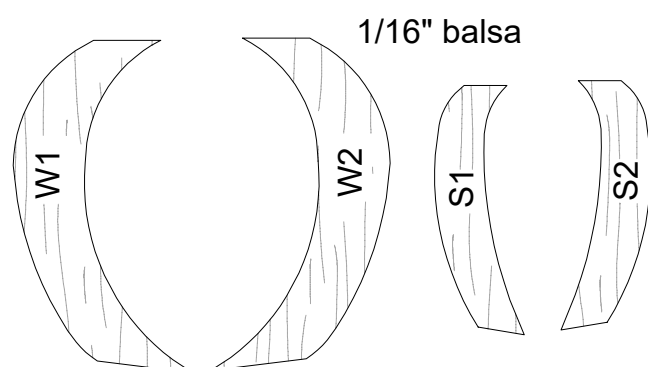
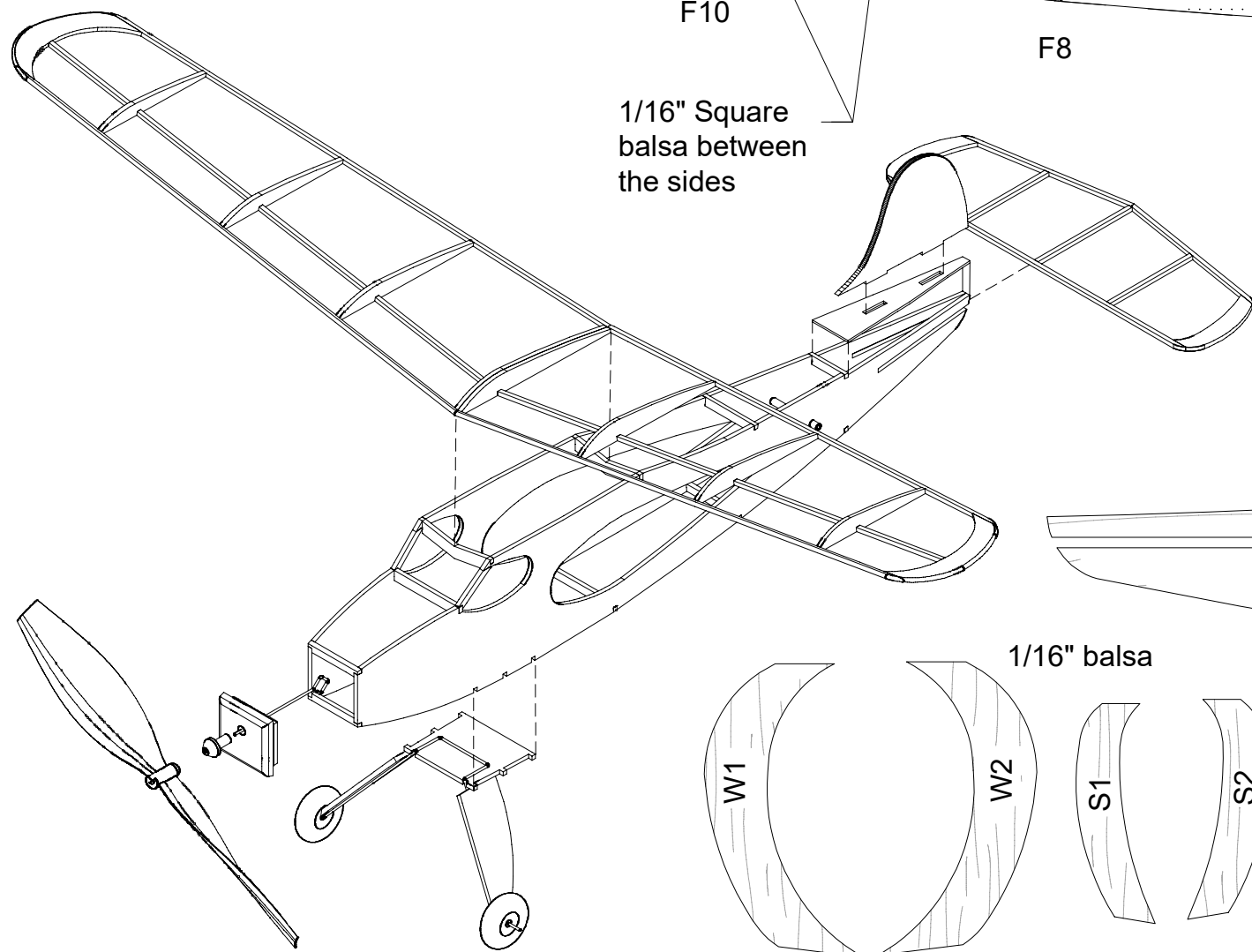
Make 2 from 1/32 inch balsa

Bend landing gear legs using 1/32 inch (.032 inch) piano wire



1/16 inch Square balsa between the sides

Suggested rubber motor is one loop of 1/8 inch or two loops of 1/16 inch braided.



COMET SPARROW REPRODUCTION
WINGSPAN 16 1/2"
DRAWN BY PAUL BRADLEY