

1/16" balsa

Make 2 from 1/32" balsa

Bend landing gear legs using 1/32" (.032") piano wire

CG is 1" back from wing LE

1/16" balsa

1/16" Square balsa between the sides

Suggested rubber motor is one loop of 1/8" or two loops of 1/16" braided.

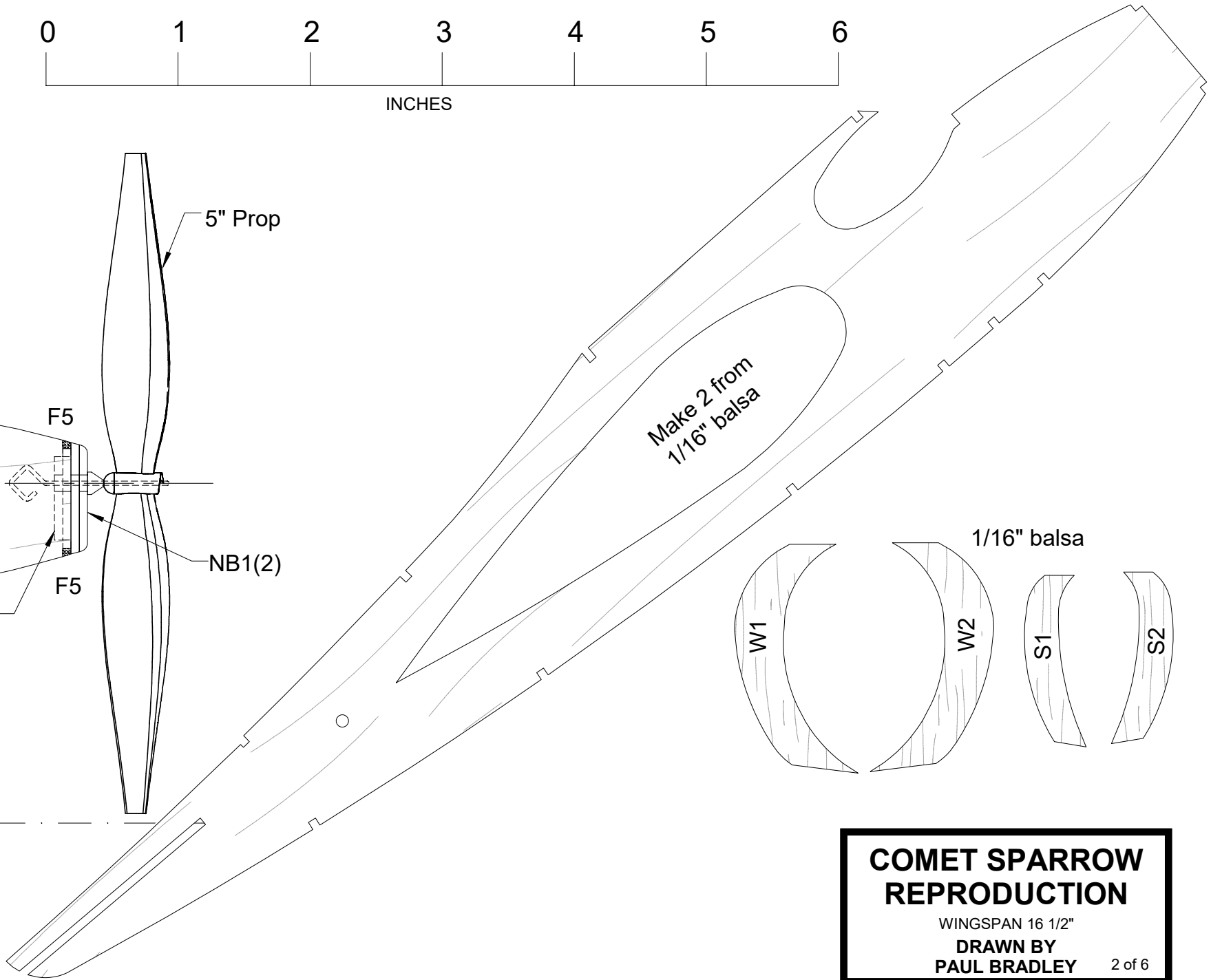
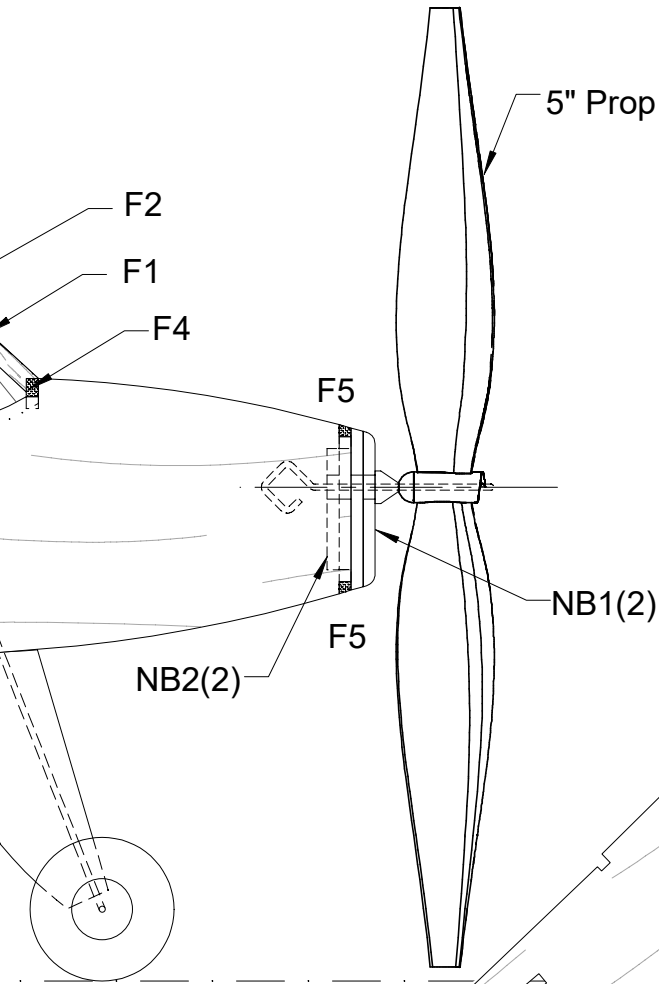
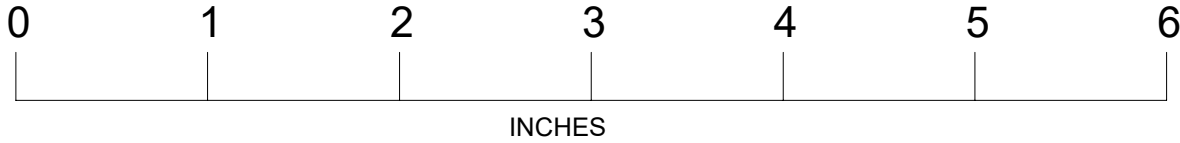
3/4" Wheels

Windshield - .003" clear plastic

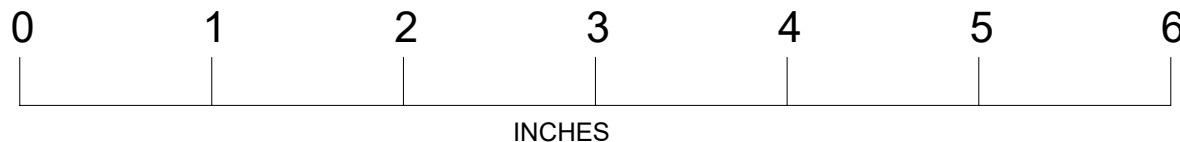
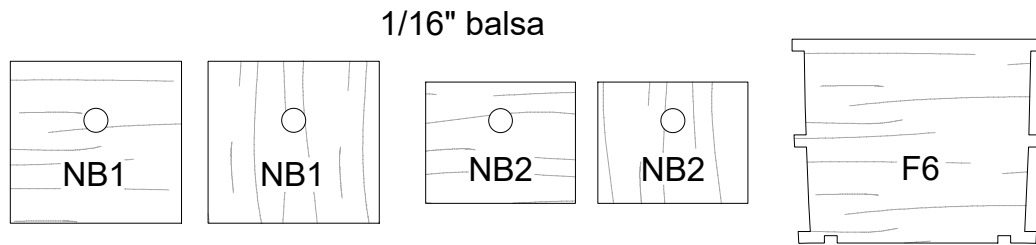
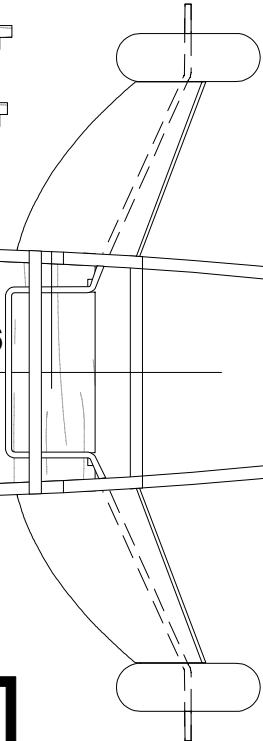
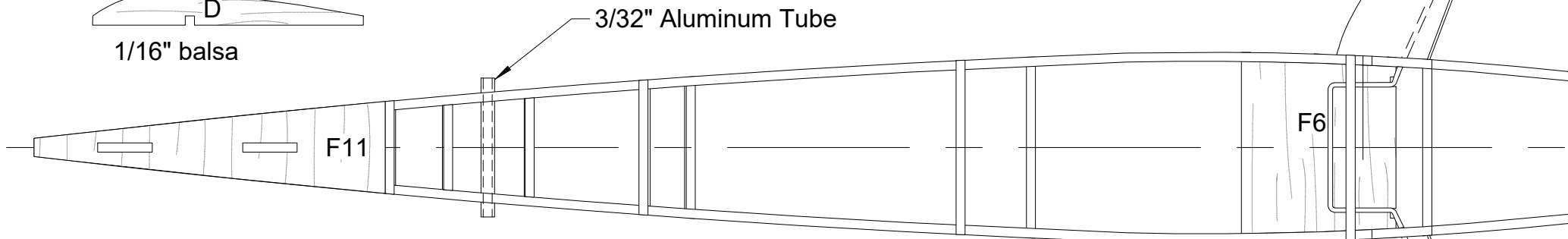
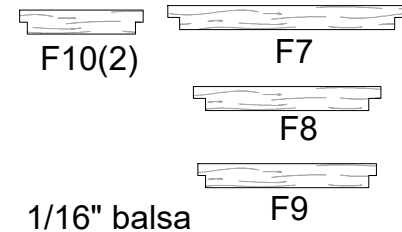
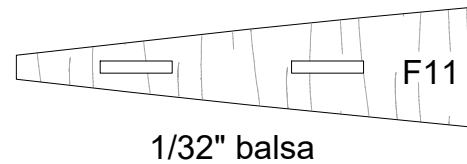
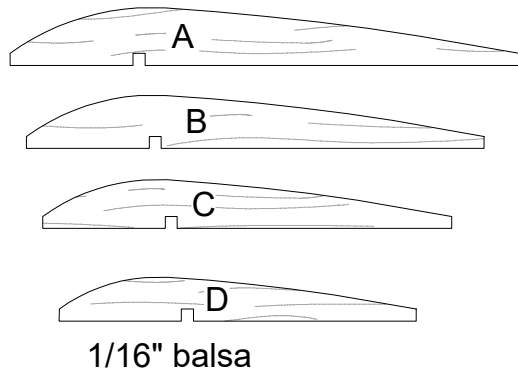
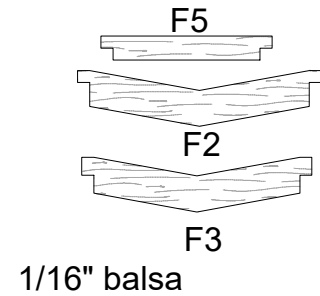
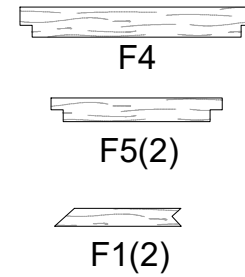
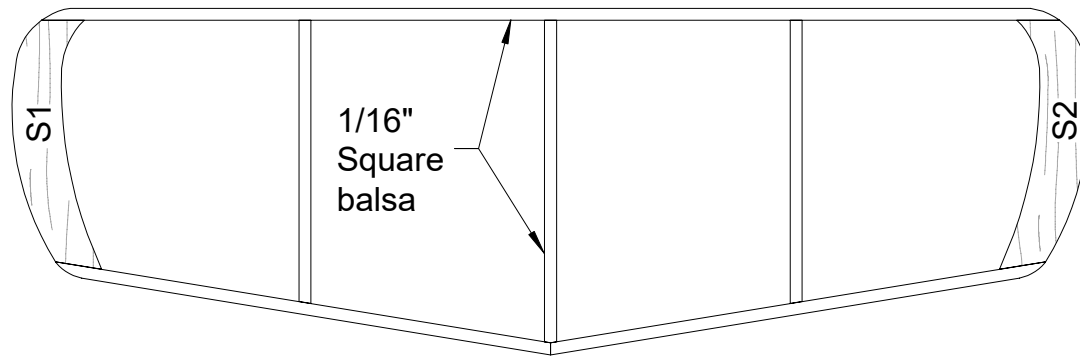
COMET SPARROW REPRODUCTION
 WINGSPAN 16 1/2"
 DRAWN BY PAUL BRADLEY 1 of 6

1/16" balsa



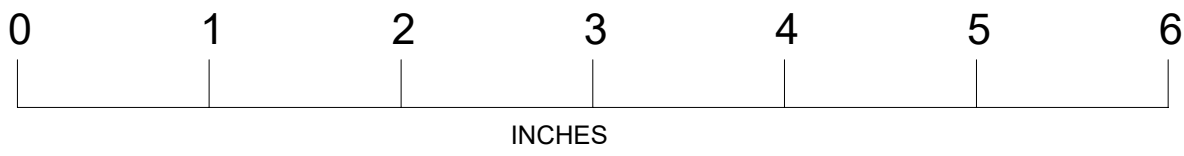
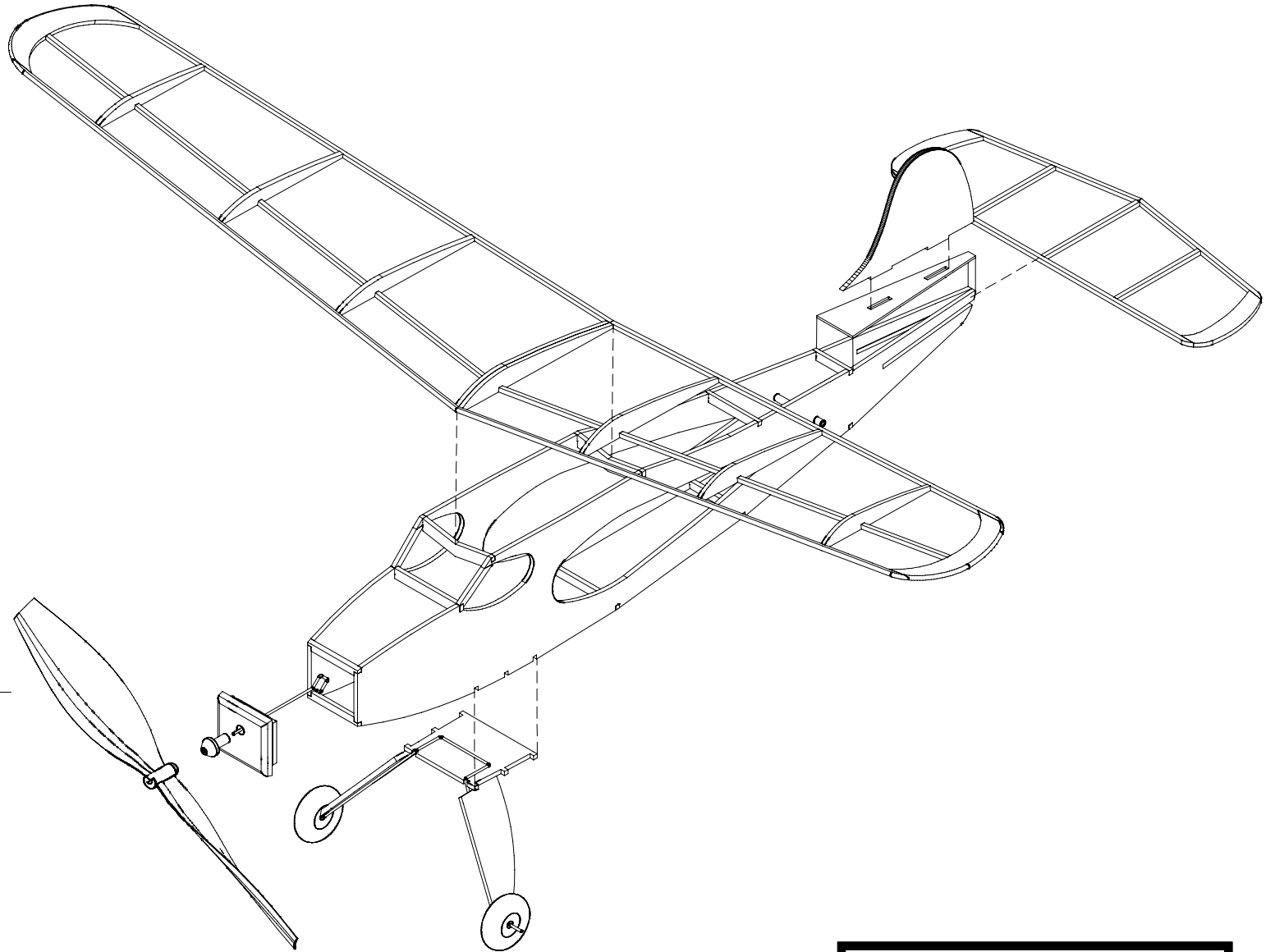
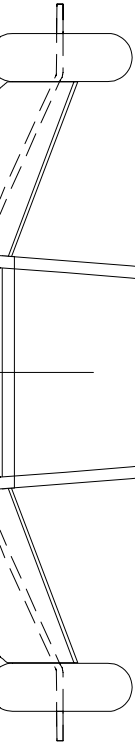


**COMET SPARROW
REPRODUCTION**
WINGSPAN 16 1/2"
DRAWN BY
PAUL BRADLEY 2 of 6



**COMET SPARROW
REPRODUCTION**
WINGSPAN 16 1/2"
DRAWN BY
PAUL BRADLEY 3 of 6



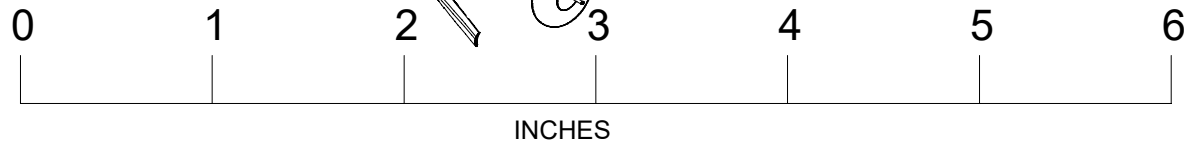
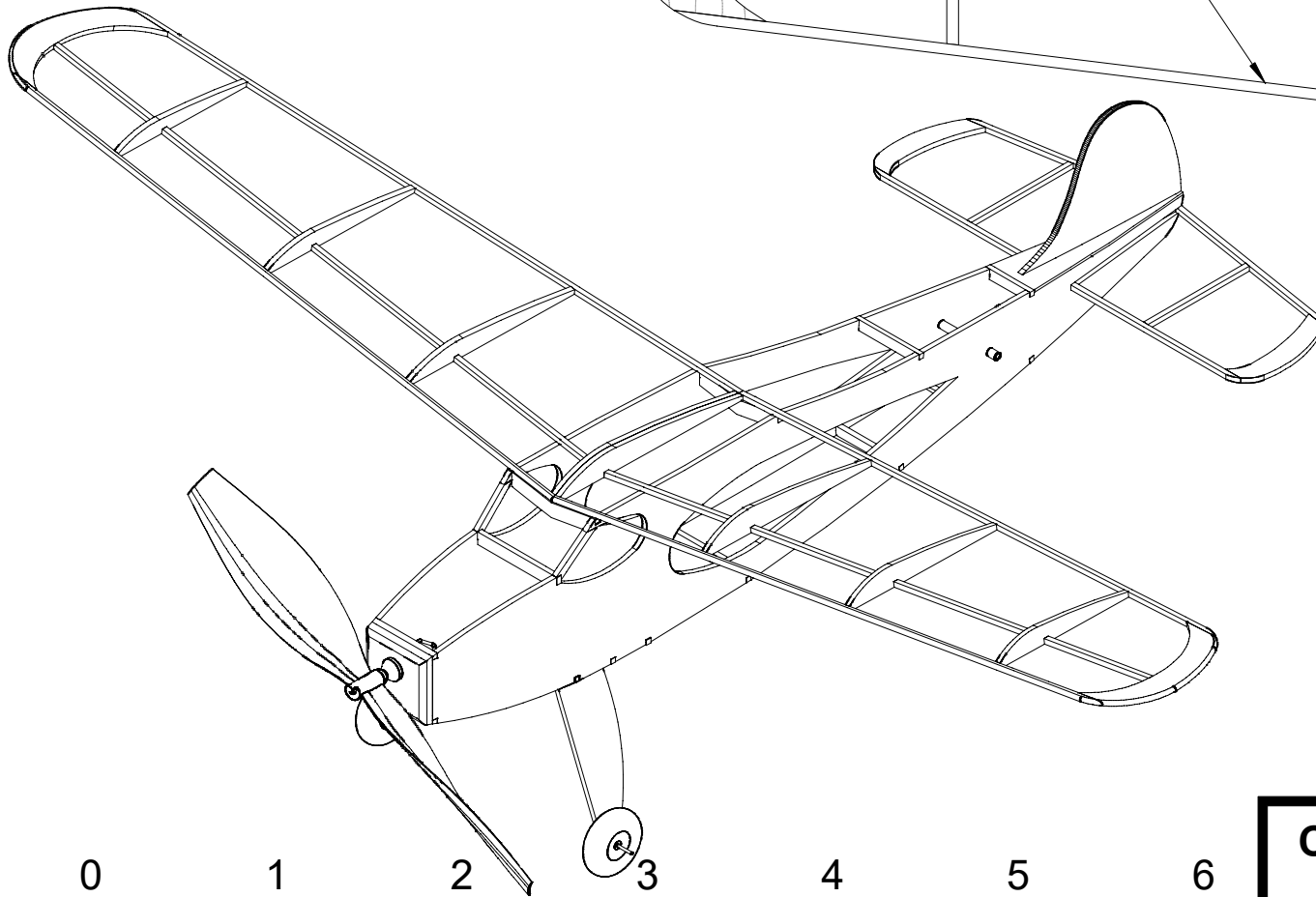
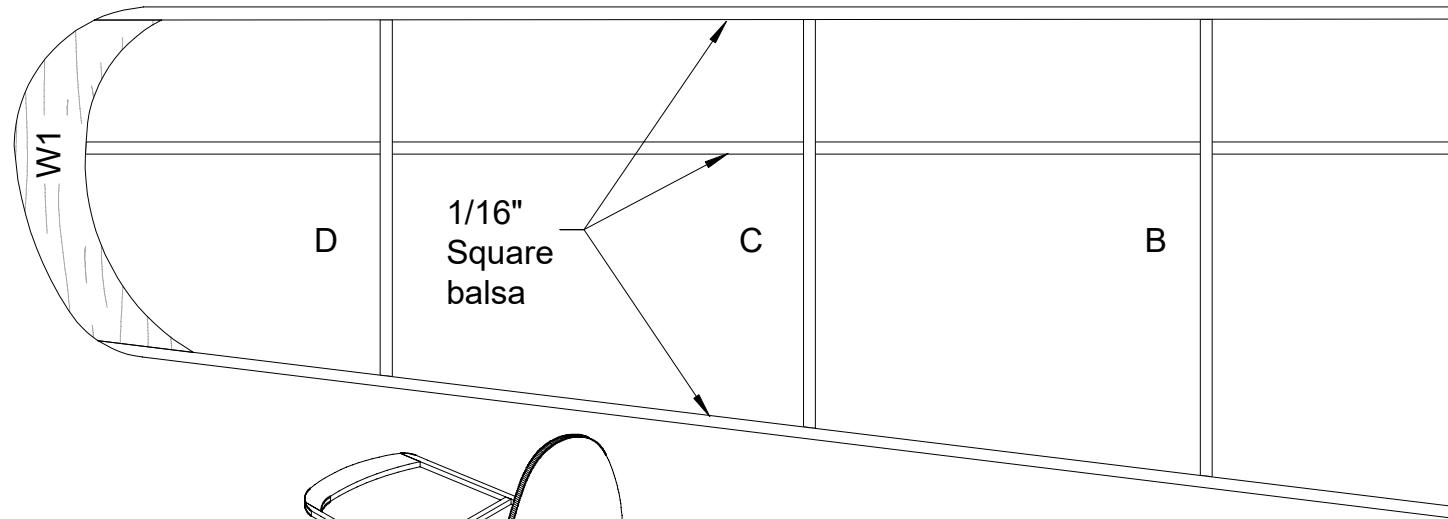


**COMET SPARROW
REPRODUCTION**

WINGSPAN 16 1/2"

**DRAWN BY
PAUL BRADLEY**

1 1/2" Dihedral
under each wing tip

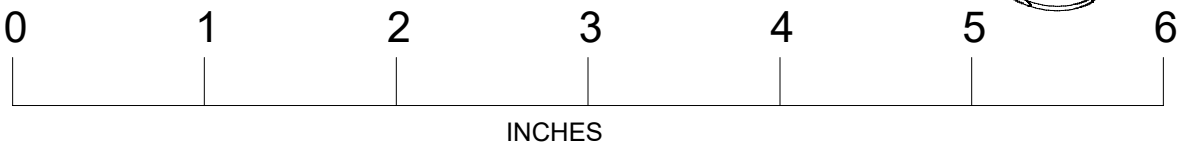
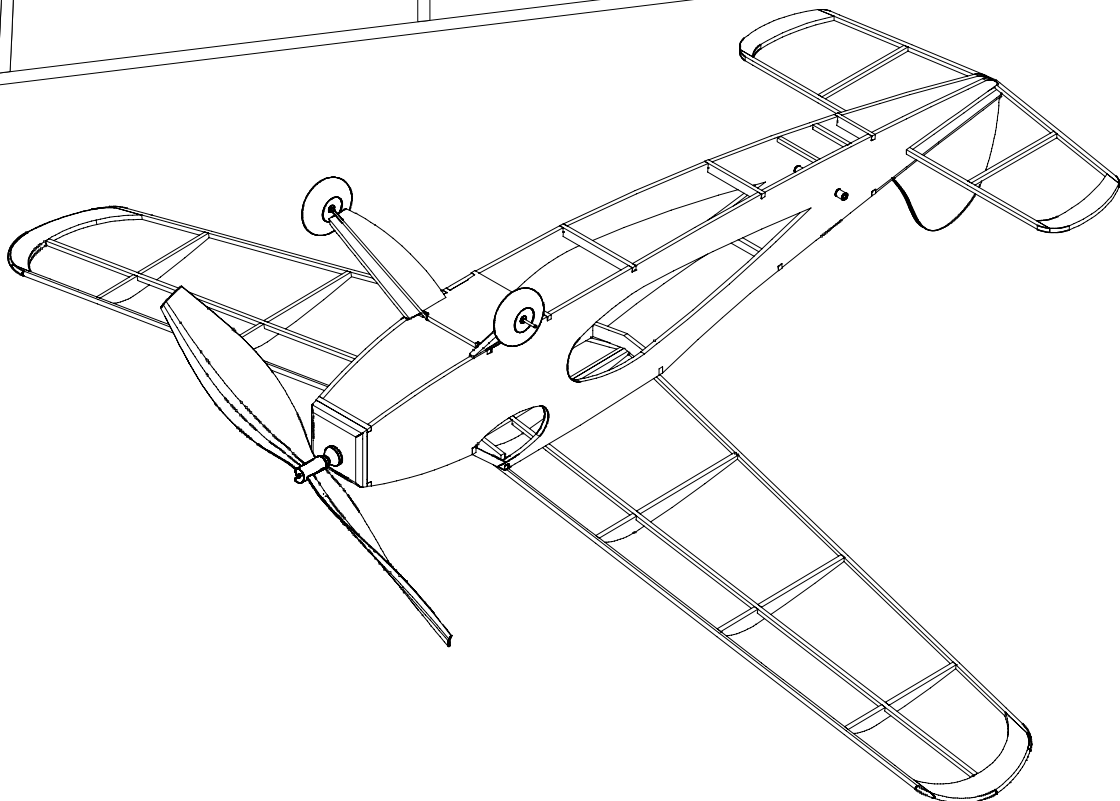
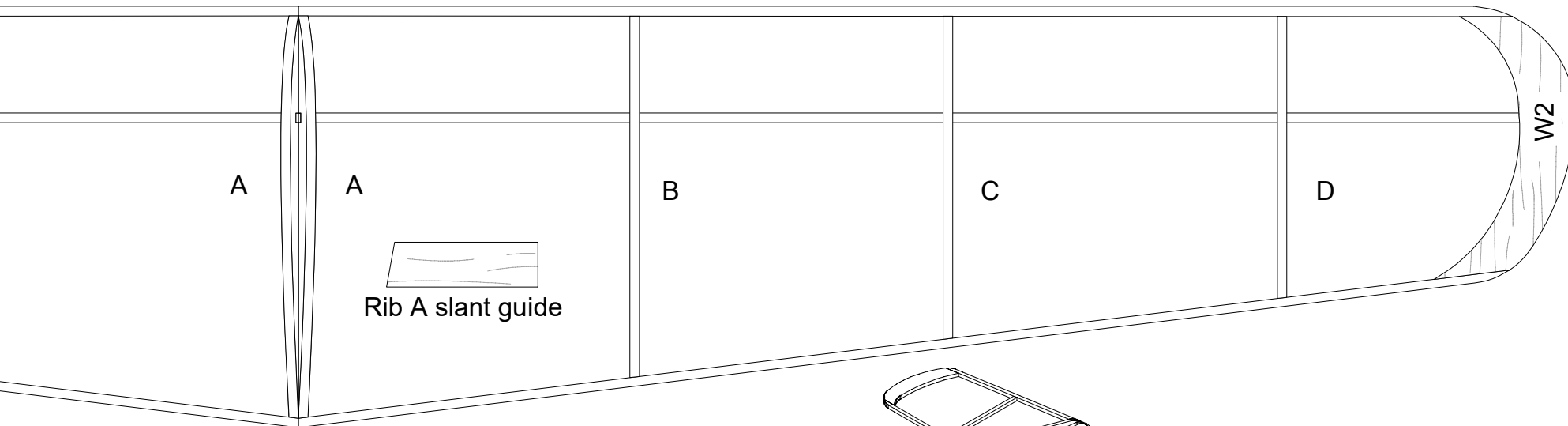


**COMET SPARROW
REPRODUCTION**

WINGSPAN 16 1/2"

DRAWN BY
PAUL BRADLEY

5 of 6



**COMET SPARROW
REPRODUCTION**
WINGSPAN 16 1/2"
DRAWN BY
PAUL BRADLEY 6 of 6